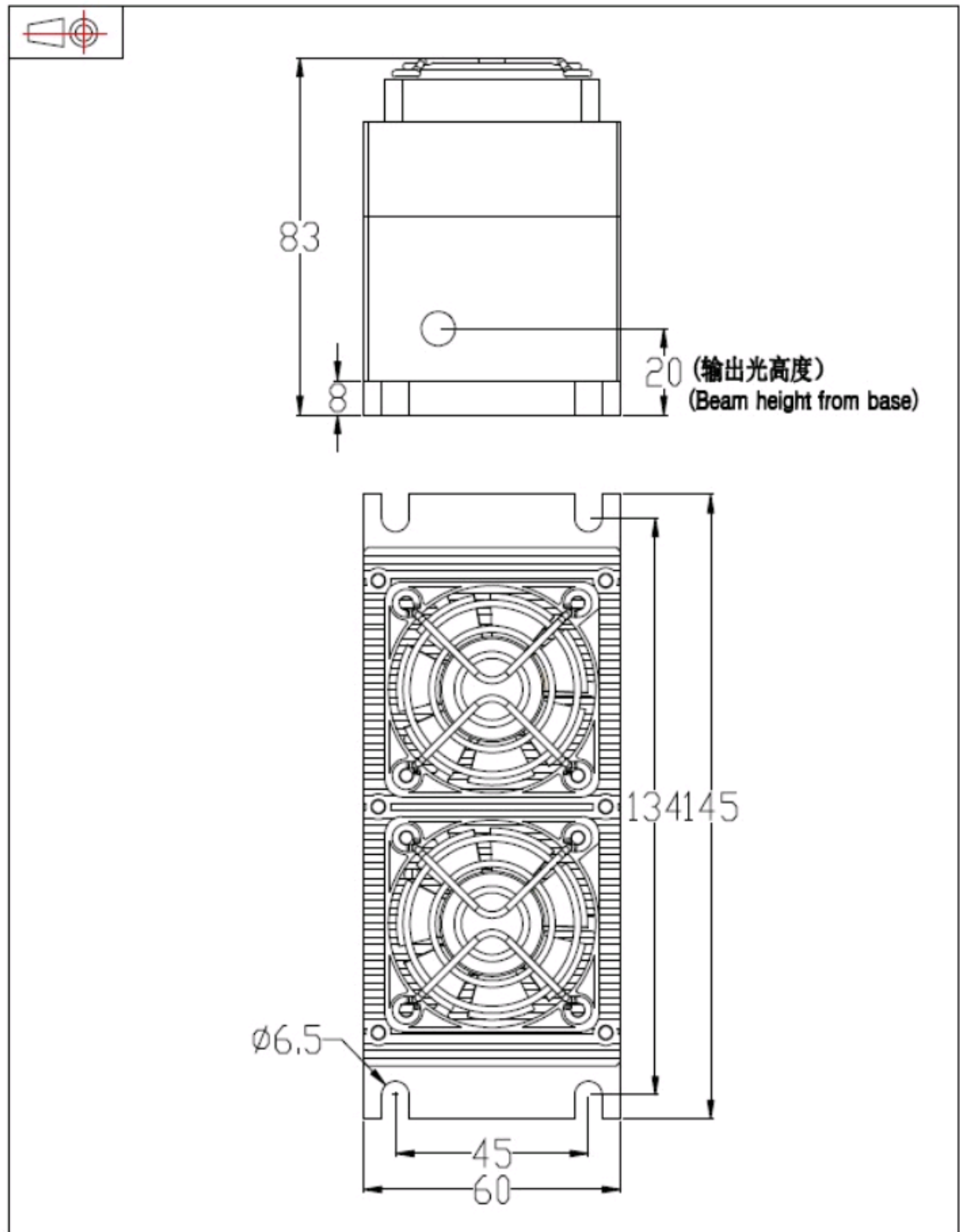


**Specification :**

|                                     |                           |
|-------------------------------------|---------------------------|
| Model                               | B4000                     |
| wavelength(nm)                      | 445                       |
| Output power(mw)                    | >3500                     |
| Transverse mode                     | Near TEM <sub>00</sub>    |
| Operating mode                      | CW                        |
| Power stability (rms, over 4 hours) | <5%                       |
| Warm-up time (minutes)              | <5                        |
| Beam divergence, full angle (mrad)  | <2.0                      |
| Beam diameter at the aperture (mm)  | ~4×4                      |
| Beam height from base plate (mm)    | 20                        |
| Operating temperature (°C)          | 10~35                     |
| Power supply (12VDC)                | 97(L)×27(W)×65(H)         |
| Dimensions of Laser Head (mm)       | 145(L)×60(W)×83(H)        |
| Modulation option                   | TTL/Analog modulation0-5V |
| Expected lifetime (hours)           | 10000                     |
| Warranty period                     | 1year                     |

**Dimensions of laser head(mm):**



**Dimensions of power supply(mm):**

