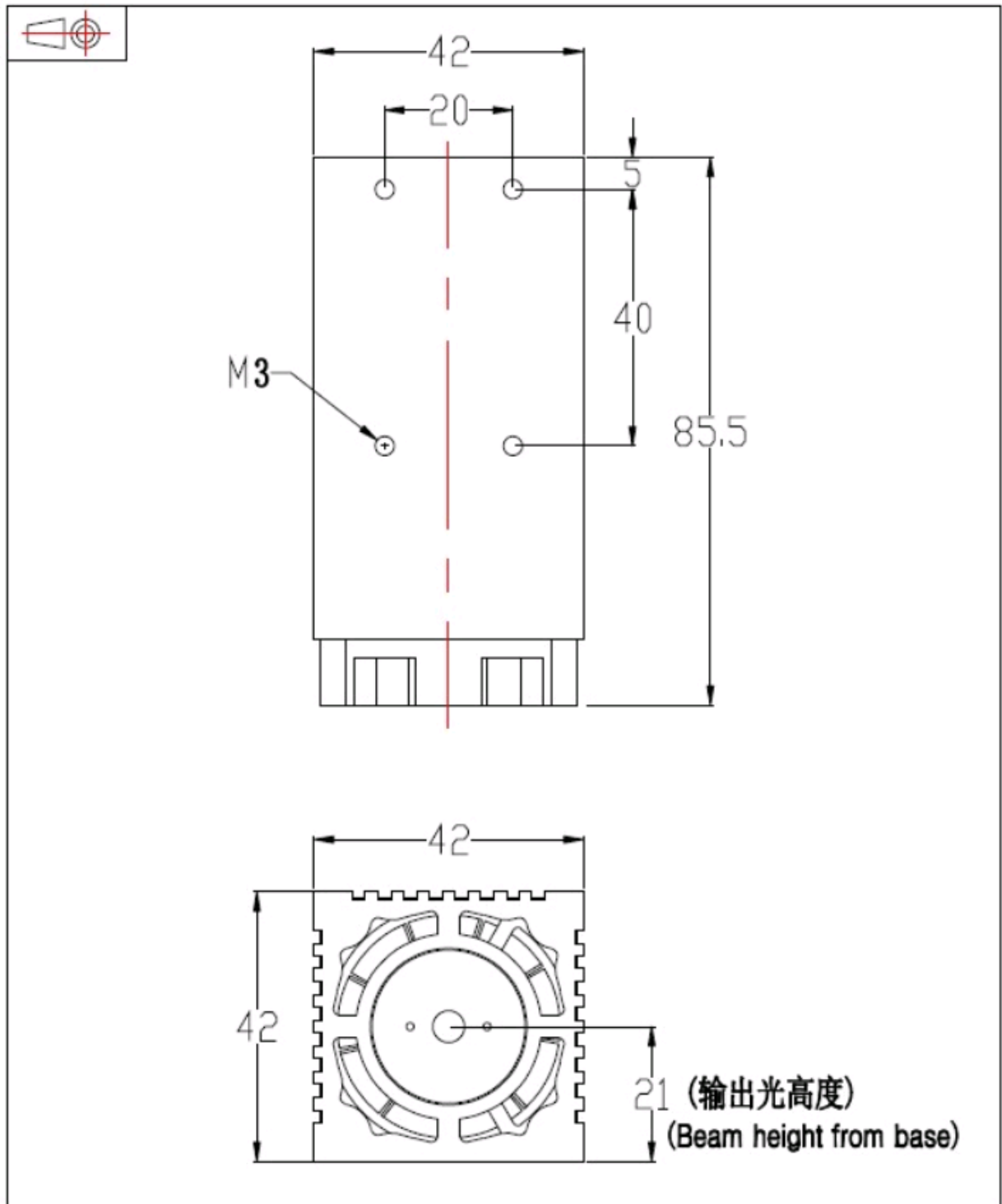


**Specification :**

Model	G150
wavelength(nm)	532
Output power(mw)	>150
Transverse mode	TEM <sub>00</sub>
Operating mode	CW
Power stability (rms, over 4 hours)	<5%
Warm-up time (minutes)	<15
M2 factor	<1.2
Beam divergence, full angle (mrad)	<1.5
Beam diameter at the aperture (mm)	~3
Beam height from base plate (mm)	21
Polarization ratio	>100:1
Beam roundness	>90%
Operating temperature (°C)	10~35
Power supply (90~260VAC)	93(L)×82(W)×57(H)
Dimensions of Laser Head (mm)	85.5(L)×42(W)×42(H)
Modulation option	TTL/Analog modulation0-5V
Expected lifetime (hours)	5000
Warranty period	1year

**Dimensions of laser head(mm):**



**Dimensions of power supply(mm):**

