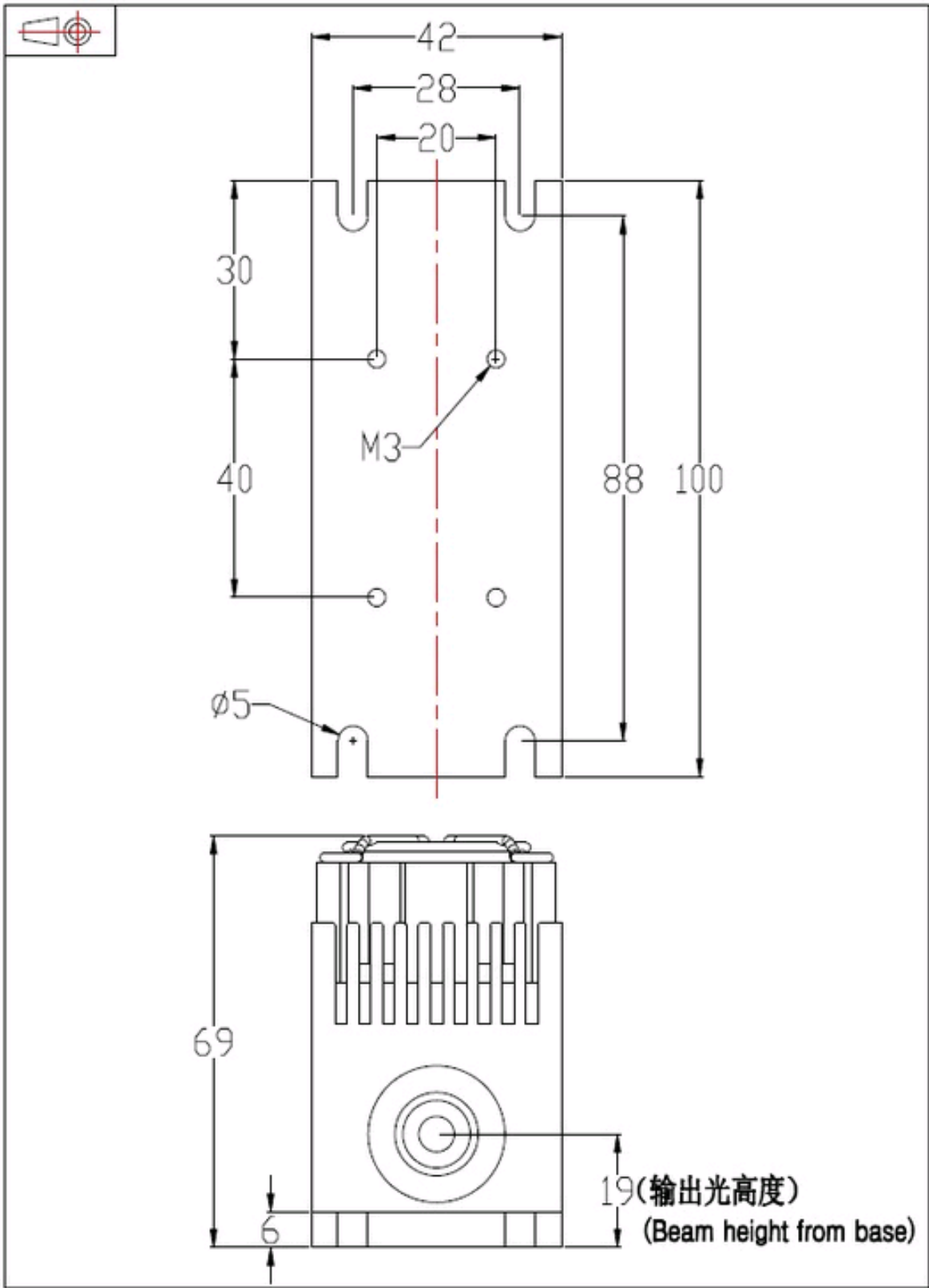


Specification:

| | |
|-------------------------------------|---------------------------|
| Model | G500 |
| wavelength(nm) | 532 |
| Output power(mw) | >600,700 |
| Transverse mode | Near TEM ₀₀ |
| Operating mode | CW |
| Power stability (rms, over 4 hours) | <5% |
| Warm-up time (minutes) | <15 |
| M2 factor | <2.0 |
| Beam divergence, full angle (mrad) | <2.0 |
| Beam diameter at the aperture (mm) | ~3 |
| Beam height from base plate (mm) | 19 |
| Polarization ratio | >100:1 |
| Beam roundness | >90% |
| Operating temperature (°C) | 10~35 |
| Power supply (90-260VAC) | 110(L)×92(W)×64(H) |
| Dimensions of Laser Head (mm) | 100(L)×42(W)×69(H) |
| Modulation option | TTL/Analog modulation0-5V |
| Expected lifetime (hours) | 10000 |
| Warranty period | 1year |

Dimensions of laser head(mm):



Dimensions of power supply(mm):

