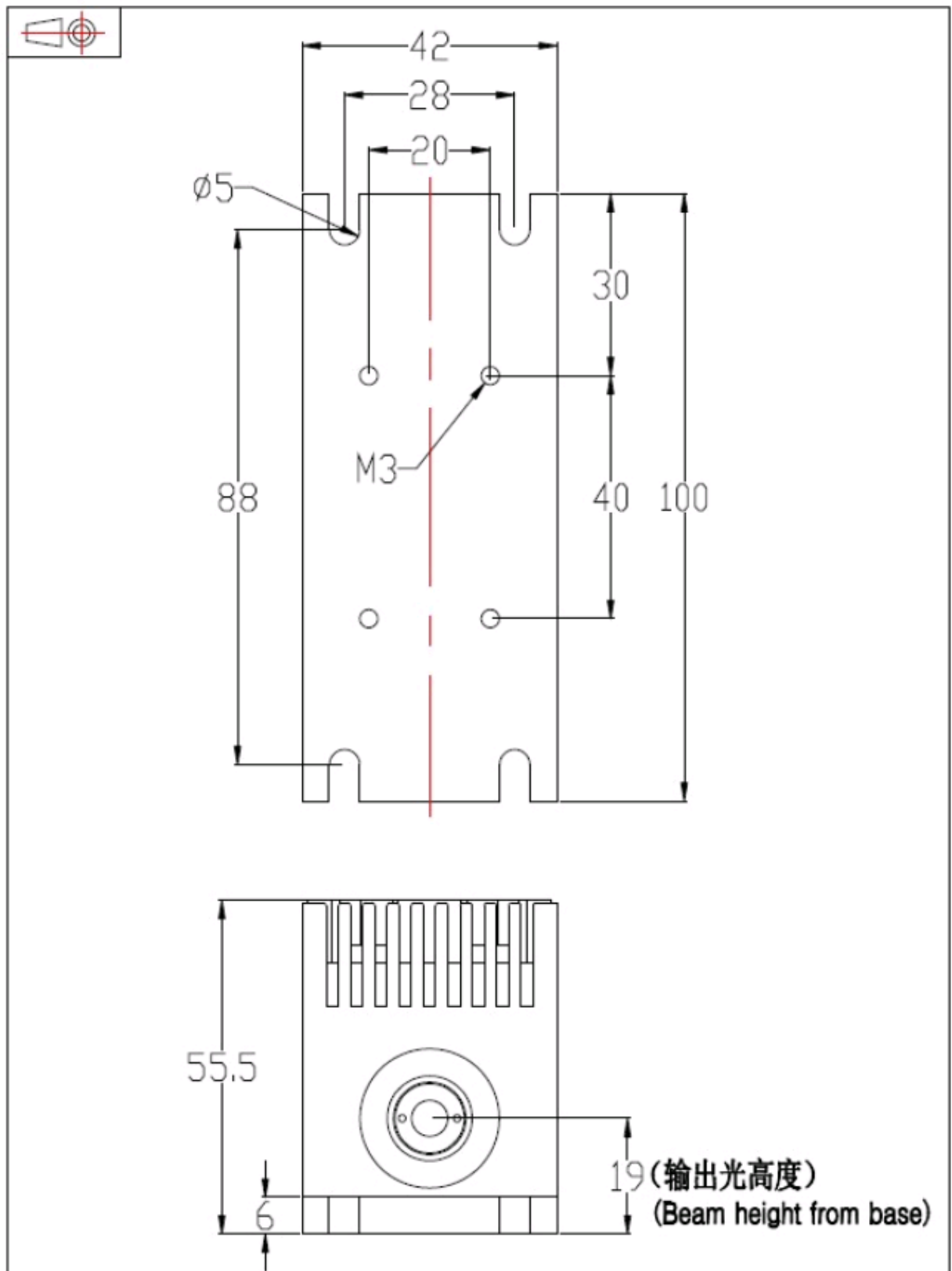


Specification:

Model	G300
wavelength(nm)	532
Output power(mw)	>300,400
Transverse mode	Near TEM ₀₀
Operating mode	CW
Power stability (rms, over 4 hours)	<5%
Warm-up time (minutes)	<15
M2 factor	<2.0
Beam divergence, full angle (mrad)	<2.0
Beam diameter at the aperture (mm)	~3
Beam height from base plate (mm)	19
Polarization ratio	>100:1
Beam roundness	>90%
Operating temperature (°C)	10~35
Power supply (90-260VAC)	110(L)×92(W)×64(H)
Dimensions of Laser Head (mm)	100(L)×42(W)×55.5(H)
Modulation option	TTL/Analog modulation0-5V
Expected lifetime (hours)	5000
Warranty period	1year

Dimensions of laser head(mm):



Dimensions of power supply(mm):

